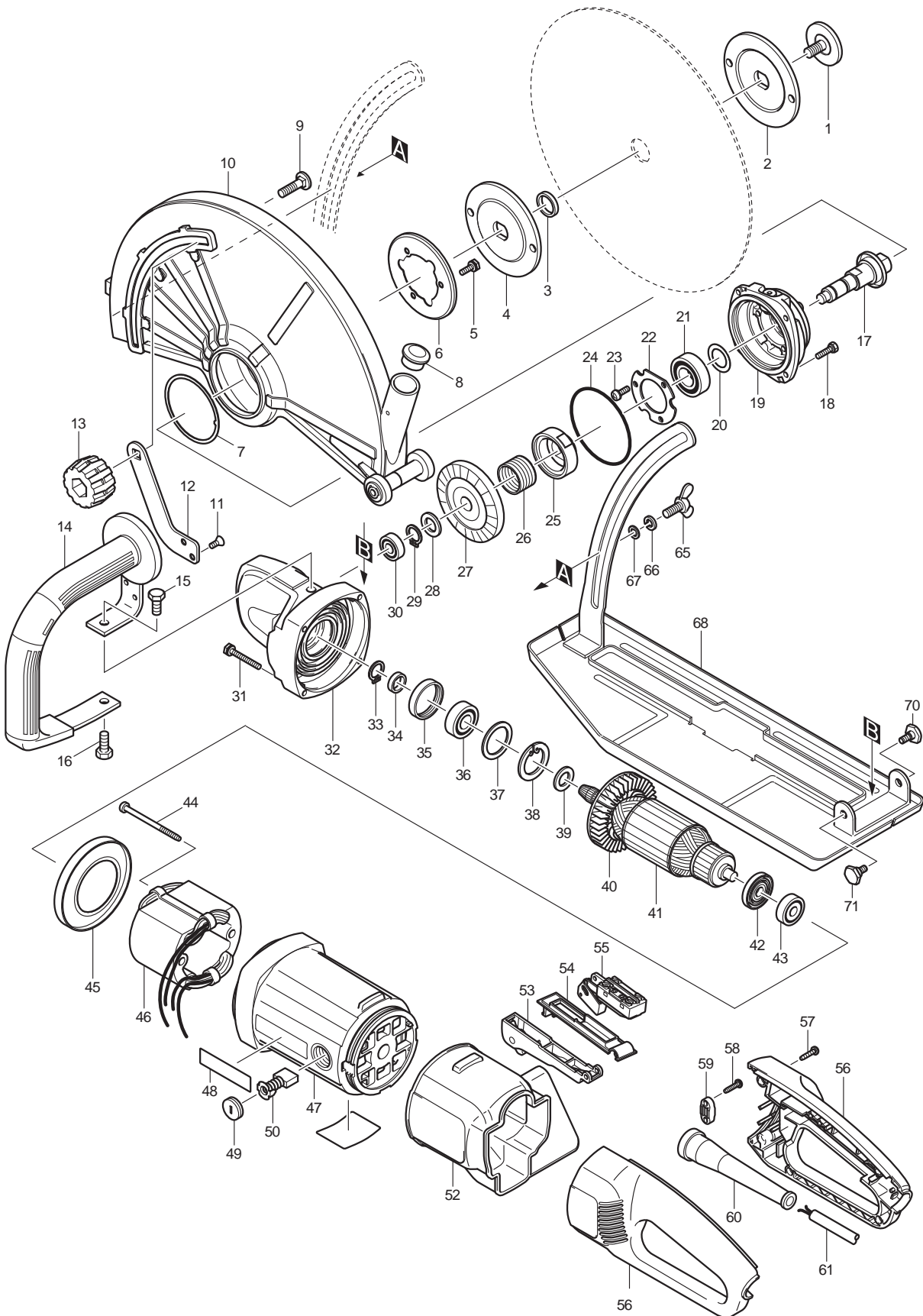




09 - 2010
4114
14" ANGLE CUTTER



Item No	Type	Ref	Part No	Description	Qty	Unit
1			265265-3	HEX. BOLT M10X25	1	PC.
2			224184-2	INNER FLANGE 100	1	PC.
3			257054-0	RING 20	1	PC.
4			224184-2	INNER FLANGE 100	1	PC.
5			925216-5	+ HEX. BOLT M5X14	3	PC.
6			345269-2	PRESSURE PLATE	1	PC.
7			341853-1	PLATE B	1	PC.
8	1		286268-4	CAP 31 (H:17.55mm) - N/L/A	1	PC.
	2		286289-6	CAP 32 (H:15.00mm)	1	PC.
9			265845-5	CAP SQUARE NECK BOLT M8X30	1	PC.
10			125334-1	WHEEL COVER ASS'Y	1	PC.
		INC.	257091-4	RING 12	2	PC.
		INC.	961015-1	STOP RING E-9	2	PC.
		INC.	810131-5	CAUTION LABEL	1	PC.
11			912202-5	COUNTERSUNK HEAD SCREW M5X8	2	PC.
12			345291-9	LOCK PLATE	1	PC.
13			252648-6	THUMB NUT M8	1	PC.
14			273655-6	GRIP	1	PC.
15			921432-7	HEX. BOLT M8X20	1	PC.
16			921432-7	HEX. BOLT M8X20	1	PC.
17			153541-6	SPINDLE COMPLETE	1	PC.
18			265502-5	+ HEX. BOLT M5X20	4	PC.
19			153539-3	BEARING BOX COMPLETE	1	PC.
20			267041-1	FLAT WASHER 20	1	PC.
21			211326-7	BALL BEARING 6004DDW	1	PC.
22			285708-9	BEARING RETAINER 50	1	PC.
23			911221-8	PAN HEAD SCREW M5X16	3	PC.
24			213757-6	O RING 80	1	PC.
25			331644-8	LOCK SLEEVE	1	PC.
26			233922-1	LOCK SPRING 24	1	PC.
27			227439-4	SPIRAL BEVEL GEAR 57	1	PC.
28			267251-0	FLAT WASHER 15	1	PC.
29			961055-9	RETAINING RING S-15	1	PC.
30			211061-7	BALL BEARING 6000LLB	1	PC.
31			925261-0	+ HEX. BOLT M5X40	4	PC.
32			153542-4	GEAR HOUSING COMPLETE	1	PC.
33			961055-9	RETAINING RING S-15	1	PC.
34			257053-2	RING 15	1	PC.
35			262554-7	RUBBER RING 36	1	PC.
36			211228-7	BALL BEARING 6202DDW	1	PC.
37			267250-2	FLAT WASHER 30	1	PC.
38			962157-4	RETAINING RING R-40	1	PC.
39			267251-0	FLAT WASHER 15	1	PC.
40			240060-2	FAN 80	1	PC.
41			516866-3	ARMATURE ASS'Y 115V	1	PC.
		INC.		Item No. 40,42,43		
42			681630-2	INSULATION WASHER	1	PC.
43			211087-9	BALL BEARING 6200DDW	1	PC.
44			266059-9	TAPPING SCREW 5X75	2	PC.
45			416131-9	BAFFLE PLATE	1	PC.
46			626126-6	FIELD 115V	1	PC.
47			183564-0	MOTOR HOUSING	1	PC.
		INC.	643707-1	BRUSH HOLDER	2	PC.
		INC.		Item No. 48		

Item No	Type	Ref	Part No	Description	Qty	Unit
48			819064-1	MAKITA MARK	2	PC.
49			643710-2	BRUSH HOLDER CAP	2	PC.
50	1		193696-5	CARBON BRUSH CB-210 2PC/SET (W/O ORIGIN) - N/L/A	1	SET
	2		194993-2	CARBON BRUSH SET CB-210 2PC/SET (W/ ORIGIN)	1	SET
52			421831-8	DUST COVER	1	PC.
53			153546-6	SWITCH LEVER COMPLETE	1	PC.
54			417313-6	SWITCH BASE	1	PC.
55			651169-9	SWITCH 1269.3001	1	PC.
56			183566-6	HANDLE SET	1	SET
		INC.	421833-4	SPONGE SHEET	1	PC.
57			266045-0	TAPPING SCREW 4X20	5	PC.
58			265995-6	TAPPING SCREW 4X18	2	PC.
59			687052-4	STRAIN RELIEF	1	PC.
60			682560-0	CORD GUARD 10	1	PC.
61			664463-0	CORD W/PLUG 2P-14-2.5M, SJ	1	PC.
65			924426-1	WING BOLT M8X20	1	PC.
66			942201-3	SPRING WASHER 8	1	PC.
67			941201-0	FLAT WASHER 8	1	PC.
68			165431-1	BASE	1	PC.
70			265557-0	SHOULDER HEX. BOLT M6	1	PC.
71			265557-0	SHOULDER HEX. BOLT M6	1	PC.
<u>ACCESSORIES</u>				- See catalogue or visit www.makita.ca for optional accessory -		
A01			782210-8	SOCKET WRENCH 17	1	PC.